

## FMT

### *AIR AND SURFACE TREATMENT IN STORAGE TANKS*

**UVpro FMT** UVC disinfectors are specially designed for disinfecting air and surfaces in storage tanks. The lamps are flange-mounted on the tank and protrude into the tank, the sucked-in air contaminated with germs as well as the inner tank walls are disinfected. The UVpro FMT is also suitable as a complement to the treatment of liquids by means of a continuous flow reactor.

---

**For storage tanks of liquids**

---

**Disinfection of air and surfaces in the tank**

---

**Very simple installation, also retrofitting**

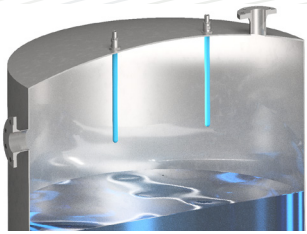
---

**Incl. monitoring unit, for function monitoring with potential-free contact in case of malfunction and tube failure for alarm messages**

---

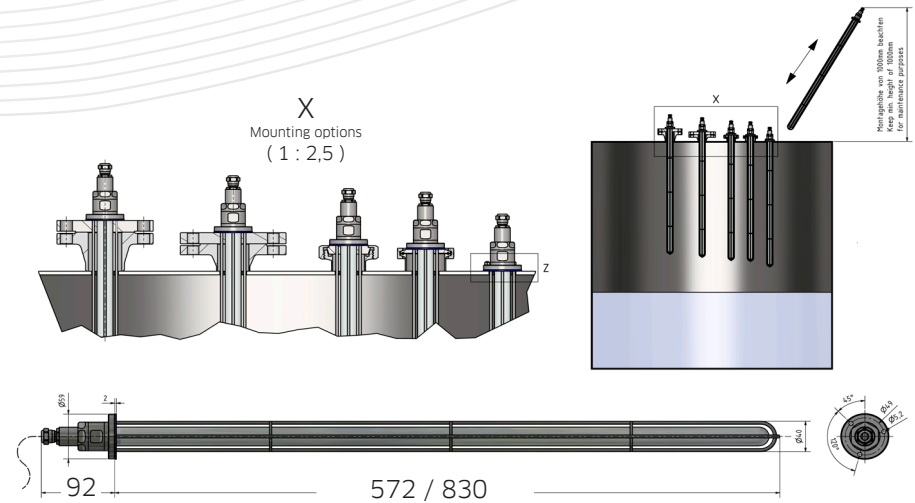
**The lamps are PTFE coated and comply with the HACCP and IFS requirements for splinter protection**

---



#### SPECIFICATIONS

Short name	UVpro FMT			
In conformity with requirements	EMC, CE, IP68, HACCP, IFS, EN 1935-2004			
Material	Stainless-steel			
Operating temperature [°C]	0...+40			
Type	FMMT (mono)		FMDT (duo)	
Suitable UVpro lamp	(1x) UVpro KT30-4	(1x) UVpro KT40-4	(2x) UVpro KT30-4	(2x) UVpro KT40-4
Input power [W]	31	41	62	82
Current flow [mA]	145	195	290	390
Total UVC output [ $W_{253,7}$ nm]	11	16	22	32
Tube intensity at 1 m [ $\mu W/cm^2$ ]	95	150	95	150
Tube length from screw joint [mm]	556	814	556	814
Weight UVC module [kg]	2.7	2.8	3.7	3.8
Weight control unit [kg]	1.8			
Screw joint, wrench size [mm]	34			
Tube replacement interval [h]	12,000 (75 % <sup>+5</sup> % output performance)			
Life expectancy electronics	> 10 years			
Supply voltage [ $V_{AC}$ ]	220-240 (50-60 Hz)			
Overvoltage category	III			
Cable length, grid / tube [m]	10 / 2			



#### Application Optimised UV for



Food & Beverage  
Industrial UV



Healthcare  
Industrial UV



Pharmaceuticals  
Industrial UV



#### Canada

+1 980.256.5700  
americas@nuvonicuv.com

#### United Kingdom

+44 1753 515300  
emea@nuvonicuv.com

#### China

+86 21 61679599  
apac@nuvonicuv.com

#### USA

+1 980 256 5700  
americas@nuvonicuv.com

#### Germany

+49 (0)2268 908300  
germany@nuvonicuv.com

#### Malaysia

+60 16 440 8834  
sea@nuvonicuv.com

#### Mexico

+1 980.256.5700  
americas@nuvonicuv.com